

492.3.380

Vacuum cleaner motor performance

DOMEL®

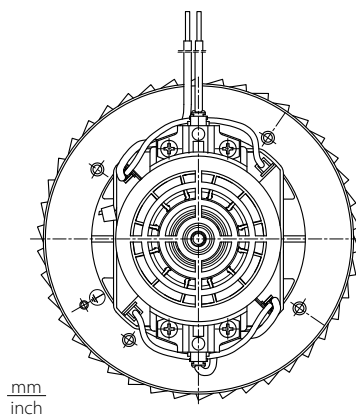
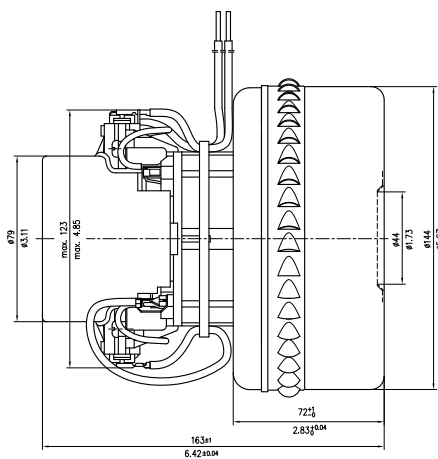
Vacuum cleaner motors 492.3.380/ 550W/ 24V DC are used for wet and dry aspiration. They are suitable for mobile cleaning machines, powered by battery. Technical data and dimensions are given in the table. Vacuum cleaner motors consist of universal commutator motor and two fan stages. The rotor is supported with two ball bearings enabling vertical or horizontal installation of motor. The motor is designed for insulation class 130 (B) and constructed according to EN 60335-1.

Technical data:

Normal operation:	P_m	\geq	480 W
Vacuum:	P_{max}	\geq	12,0 kPa 48,3 in H ₂ O
Air Flow:	Q_{max}	\geq	42 dm ³ /s 89 CFM
Air Power:	P_{2max}	\geq	174 W
Efficiency:	η_{max}	\geq	30 %
Mass:	m	=	2,00 kg

Voltage:	24 V DC
Frequency:	-
Nominal Power:	550 W

Max power 600W



Dimensional and performance data are subject to change without notice.

Orifice		Current	Input Power	Speed	Pressure		Air Flow		Air power	Efficiency
mm	in*	A	W	min ⁻¹	kPa	in H ₂ O	dm ³ /s	CFM	W	%
40	1 1/2	24,36	582	14332	1,7	7,0	40,1	85,0	69	11,9
30	1 1/8	24,58	587	14222	4,3	17,1	35,2	74,6	150	25,5
23	7/8	23,99	573	14477	7,0	28,0	26,4	55,8	183	32,0
19	3/4	22,96	550	14871	8,3	33,2	19,6	41,5	162	29,4
16	5/8	21,94	526	15305	9,2	36,9	14,6	31,0	134	25,5
13	1/2	20,76	499	15807	10,0	40,3	10,1	21,4	101	20,3
10	3/8	19,40	468	16460	10,8	43,4	6,2	13,2	67	14,4
6,5	1/4	18,20	442	17082	11,5	46,3	2,8	5,8	32	7,2
0	0	17,10	415	17682	12,6	50,8	0,0	0,0	0	0,0

Data above represent the performance of an average motor sample. Individual data may vary due to normal manufacturing variations.

* Orifice in inch is only approximative.